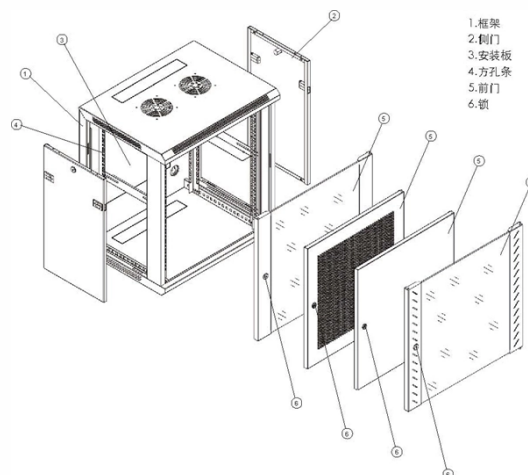


Case of Forcible Demolition of Telecommunication Towers



Overview

The Vodafone v Icon Tower ruling makes it harder for landowners or infrastructure providers to remove telecoms masts without well-documented, imminent redevelopment plans. Demolition alone no longer counts as redevelopment under the ruling. Assisting individuals who need to proceed on their own without an attorney. Start here for information about Self-Help Center services, locations and hours, legal education, other resources for self-represented individuals and more. The legal framework sits in Code of Civil Procedure Section 1160, which covers two distinct scenarios: an occupant who uses menacing behavior to stay on. Telecoms masts are increasingly becoming a barrier to redevelopment or urgent building works - and the legal framework for removing them is tightening, according to an expert at national law firm Clarke Willmott. A42, Amar Colony, Lajpat NagarIV, New Delhi having being purchased the same from its erstwhile owner Sh. Gopal Singh vide registered sale deed. ent, to a third party who was not authorized to receive it, and proposed to fine T-Mobile \$91,630,000 for faili pr ns.



Article Content

May 28, 2026

Cel-Tech Communications, Inc. v. Los Angeles Cellular Telephone Co ...

This case has an unusual circumstance that might bring it within the unfair competition law's coverage: L.A. Cellular's position as a wholesale duopolist. On remand, the court might find ...

Aug 16, 2025

Victory: Cell Towers Removed, Halted, and Rejected near Schools ...

Cell towers that have been rejected, removed, and/or halted: A cell tower was removed from a Ripon, California elementary school after four students and three teachers were diagnosed ...

Oct 16, 2025

Legally Explained: Can I get my neighbour's cell phone tower removed ...

Is this the opening of a floodgate? Can I get the Supreme Court to remove my tower? Could potential litigants with allegations similar to that of Tiwari force the removal of a cellphone ...

Feb 19, 2026

G.R. No. 215166

The proper remedy from an adverse decision of the Regional Trial Court (RTC) exercising its appellate jurisdiction in a forcible entry case is a petition for review to the Court of Appeals (CA) under Rule 42 ...

Sep 30, 2025

Superior Court of Los Angeles County | Civil Case Access

A centralized location to access attorney-level case information and court services.

Jul 24, 2025

Removing a mast? What landowners need to know

The Vodafone v Icon Tower ruling makes it harder for landowners or infrastructure providers to remove telecoms masts without well-documented, imminent redevelopment plans. ...

Oct 10, 2025

Federal Communications Commission FCC 24-43 Before the ...

A. Legal Background 2. As set forth fully in the NAL,3 carriers are required to protect the confidentiality of certain customer data related to the provision of telecommunications service. This includes ...

Mar 27, 2026

removal+of+towers | Indian Case Law | Law | CaseMine

The prayer made in this PIL is for issuing a direction to the Respondents to take action of removal of mobile towers erected on the terraces of illegal and unauthorized buildings in.. open ...

May 10, 2026

Legally Explained: Can I get my neighbour's cell phone ...

Is this the opening of a floodgate? Can I get the Supreme Court to remove my tower? Could potential litigants with allegations similar to that of ...

Sep 08, 2025

Civil Suit No. 7824/16 vs M/S Vodafone Infrastructure Limited on 29 ...

Due to the installation of telecommunication tower of the Vodafone company alongwith other equipments on the suit property, the roof of the second floor portion in his possession is damaged because of ...

Jun 18, 2026

Forcible Detainer in California: Laws, Filing, and Defenses

Learn how California's forcible detainer laws work, from filing a complaint to understanding defenses and potential penalties.

Contact Us

For more information, pricing, or custom solutions, please contact us:

Website: <https://professionistidelverde.it>

Email: info@professionistidelverde.it

Phone: +49 176 4829 3715

Address: Friedrichstraße 123, 10117 Berlin, Germany

This document is for informational purposes only. Specifications subject to change without notice.

